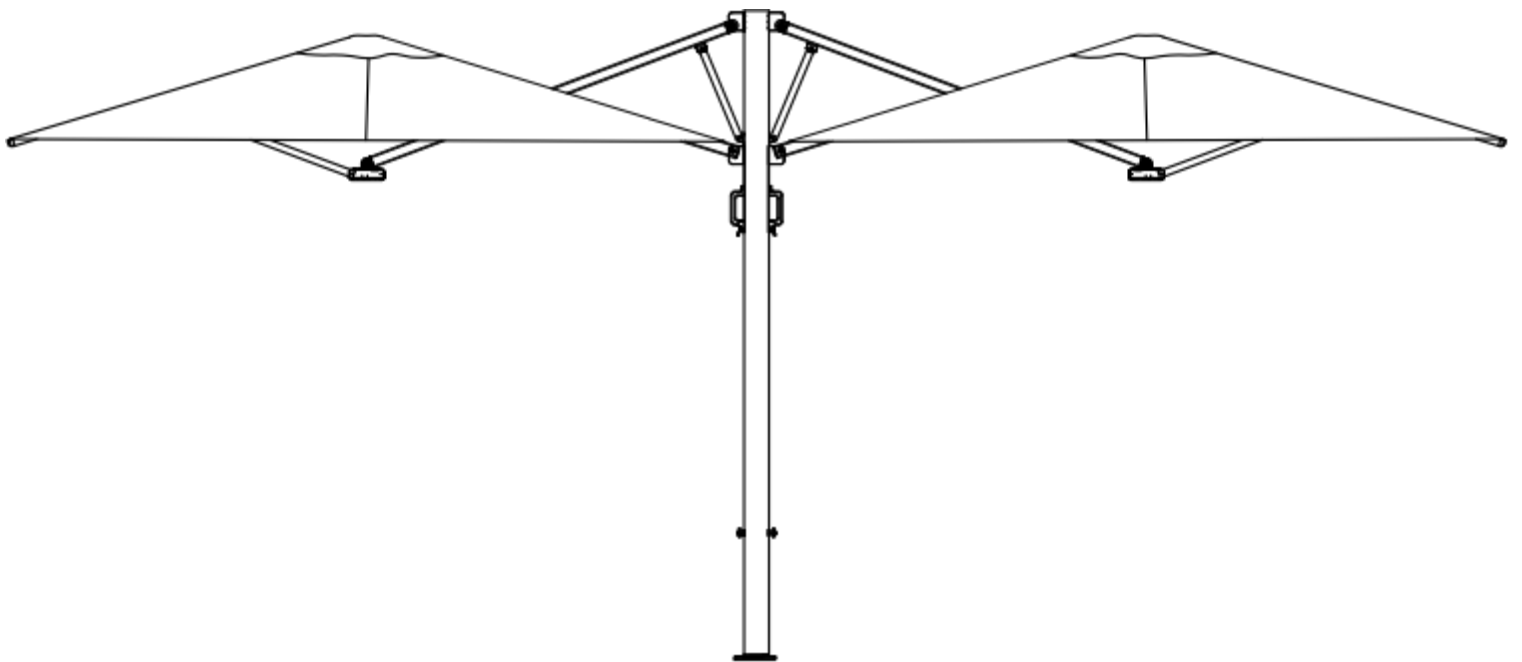




# Instruction Manual

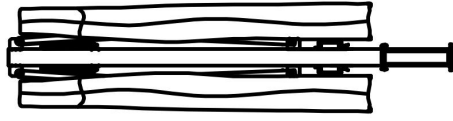
## Cygnus Double

3x6M Aluminum Duo umbrella

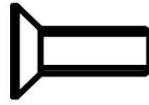


---

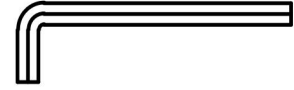
# Parts



A  
Parasol(1)



B  
M10\*20(4)

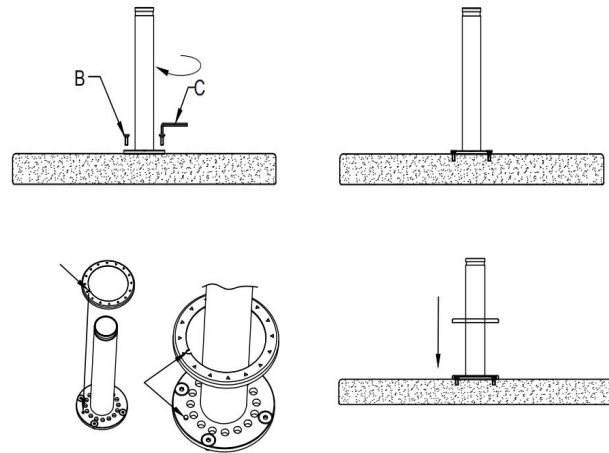


C  
Allen Key 6#(1)

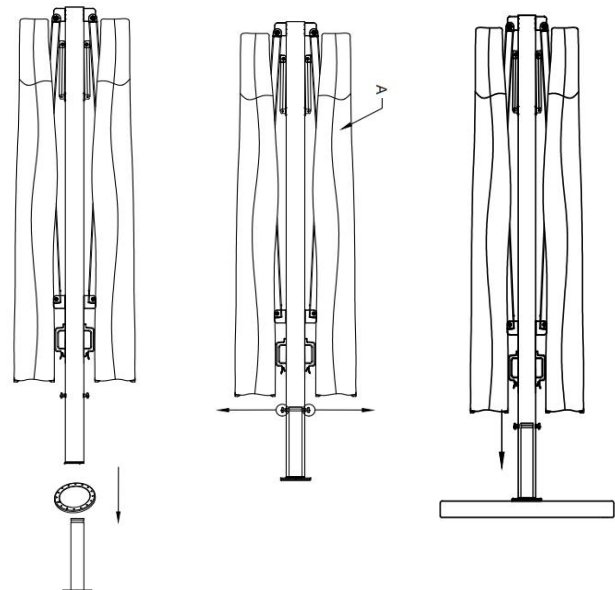
---

# Assembly

Install the underground umbrella base into the ground.



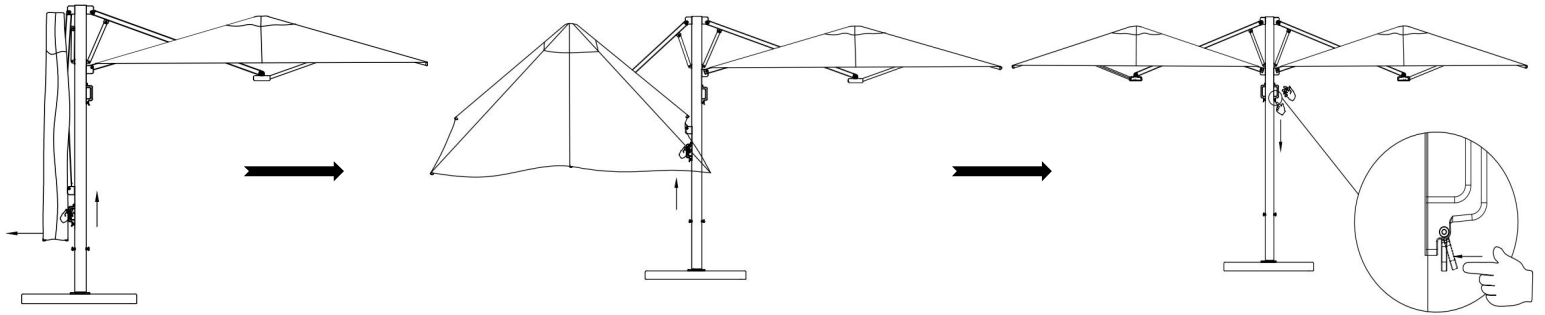
Insert the umbrella pole into the side pole and secure it with set screws.



---

# Opening

Push the slider upwards to a suitable height, the umbrella will automatically open and lock into the place.



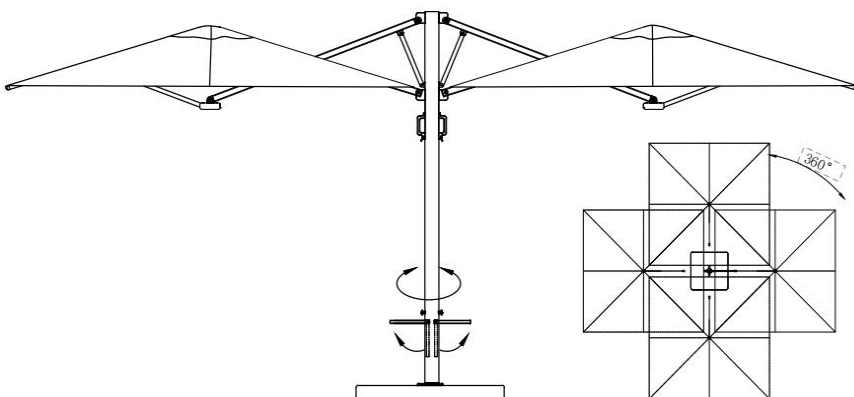
---

# Rotating

Once the umbrella canopy is fully open, move the slider downwards to select the desired angle.

Rotate the umbrella 360° by stepping on the rotating device.

NOTE: Please close the umbrella when the wind is strong to ensure safety.

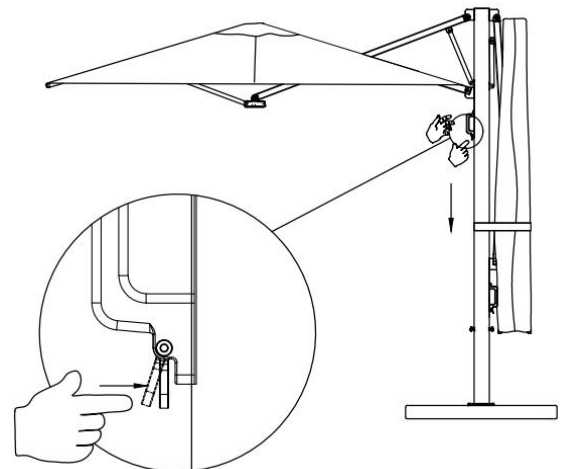


---

# Closing

Close the canopy by moving the slider downward until the bottom.

Secure the canopy with the velcro tie, make sure the velcro tie goes around the pole.



Manufacturer and seller expressly disclaim any and all liability for personal injury, property damage or loss, whether direct, indirect, or incidental, resulting from the incorrect attachment, improper use, inadequate maintenance, or neglect of this product.